

**Flat screen ceiling mount | Tilt** TH-3070-CTL  
TH-3070-CTS

The TH-3070-CT is a medium to heavy weight ceiling mount designed to offer the ultimate in versatility and universal compatibility. It is the perfect solution for commercial displays, offering 360° of rotation around the pole, an extended drop length and 30° of adjustable tilt. It also offers portrait display installation, advanced cable management features and ceiling mount covers to ensure an elegant and tidy look. It can be upgraded to support dual back to back displays (via the TH-3070-CT-B2B, sold separately).



**Mounting hole pattern:**  
From 200mm to 800mm wide  
From 200mm to 500mm high



**Maximum weight carrying capacity:**  
65kg (143lbs) per display



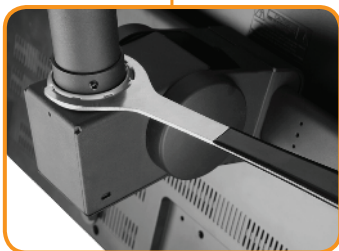
**Product key features:**

- Ideal solution for any digital signage needs
- Can be easily upgraded to a dual display back-to-back configuration
- Durable steel construction
- Comes with all mounting hardware
- Innovative features to provide the ultimate in versatility and elegance

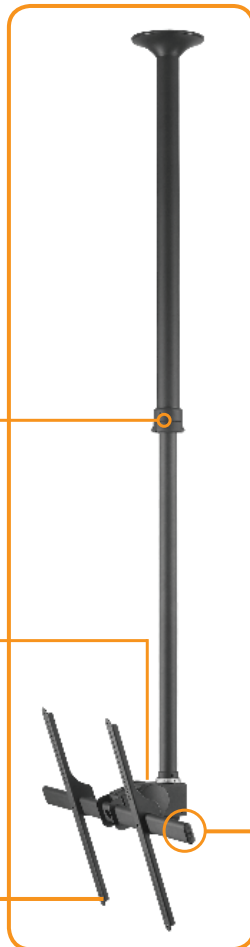


Telescopic pole length:  
**TH-3070-CTL:**  
from 1050mm (41.3") to 1900mm (74.8")  
**TH-3070-CTS:**  
from 550mm (21.6") to 900mm (35.4")

Fixed or 360° display rotation around pole



Universal mounting head supports a large range of displays



Advanced cable management with dual cabling ports.

False ceiling cover

Can be upgraded to a dual display back-to-back configuration via additional accessory TH-3070-CT-B2B (sold separately)

Display can be installed in either landscape or portrait mode

Allen key storage for quick tool access



## Product information

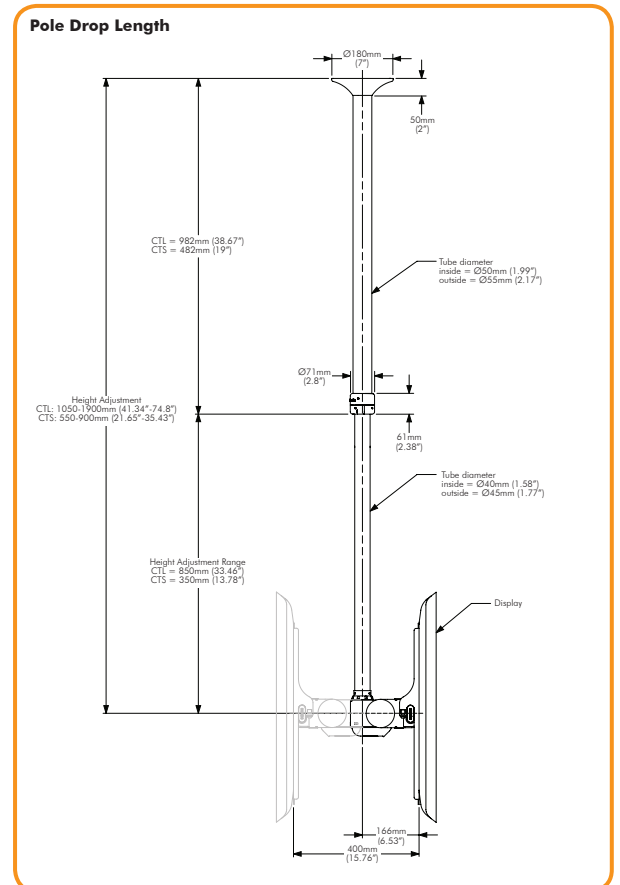
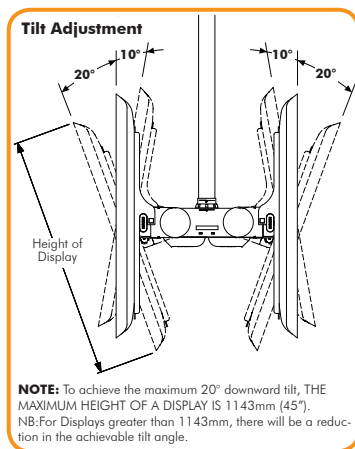
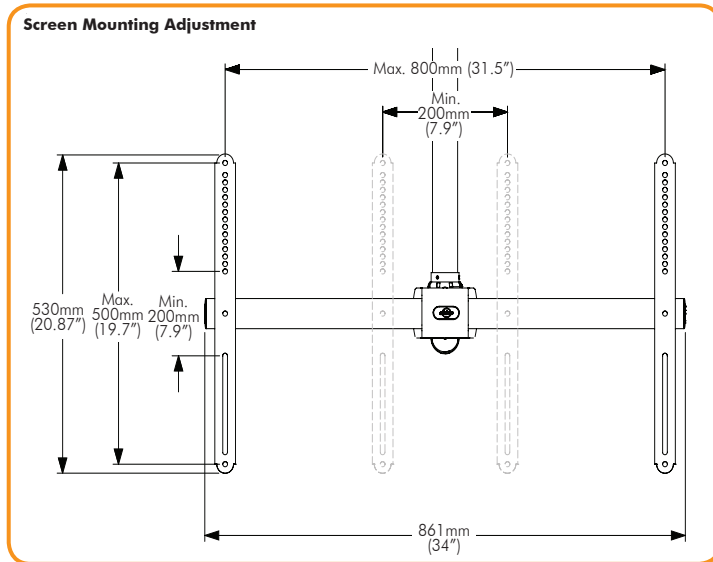
Product Code	Load capacity	Material	Colour
TH-3070-CTL TH-3070-CTS	65kg (143lbs) per display	Steel, aluminium	Black

## Package information, single unit

Product	Size	Ship weight	UPC code	Contents
TH-3070-CTL TH-3070-CTS	106cm x 30cm x 15cm (41.7" x 11.8" x 5.9") 93cm x 30cm x 15cm (36.6" x 11.8" x 5.9")	15kg (33lbs) 12kg (26.4lbs)	881493007543 881493007567	All hardware required for installation supplied

No master pack available, ships as single unit only

## Technical drawings



Atdec mounts are designed, developed and tested in Australia. While all efforts have been made to ensure the information in this brochure was correct as of the date of printing, we reserve the right to change specifications without notice. Please refer to the website for our full range along with the latest details on specifications, compatibility and dealer location. Atdec and Telehook are registered trademarks with all rights reserved. Copyright November 2012.