

# SYSTEMA

Systema Range

## General Features

**Consist of:**

- 1X SS
- 1X SP10
- 1X SNT

**Colours:**

Silver and Anodised Aluminium

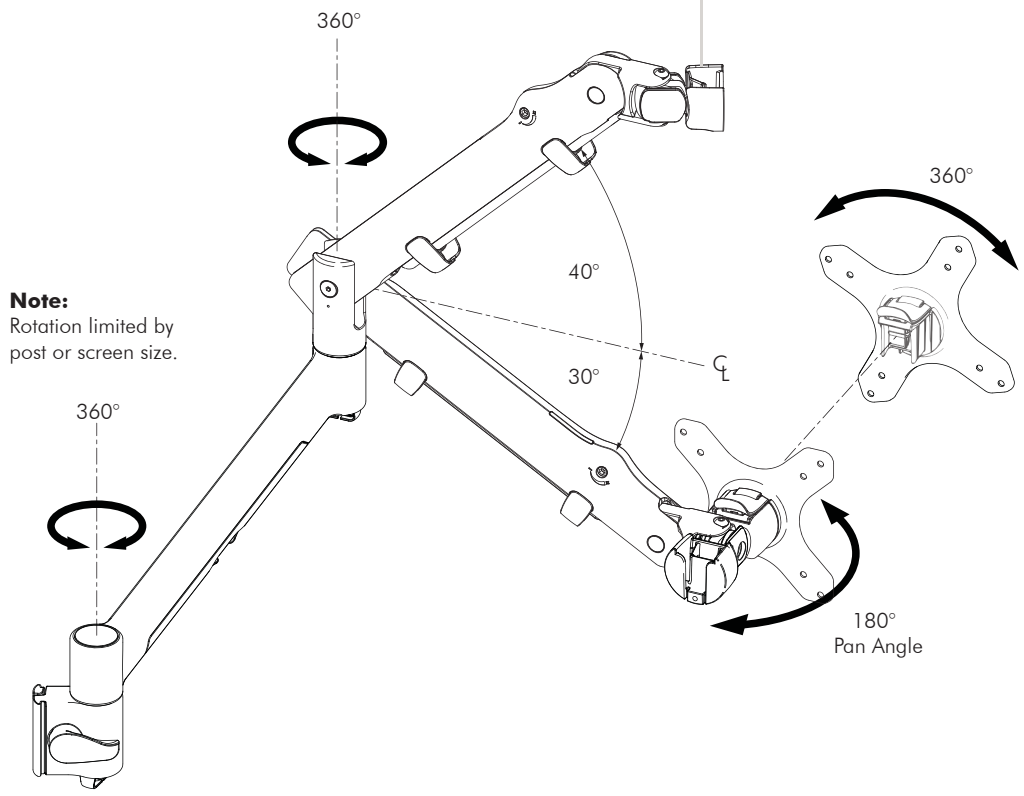
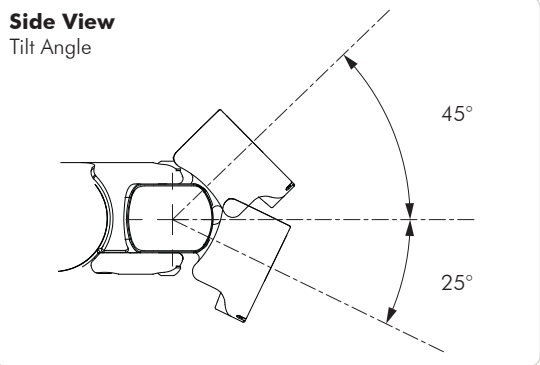
**Max Load:**

8kg (17.64 lbs) per arm

**Warranty:**

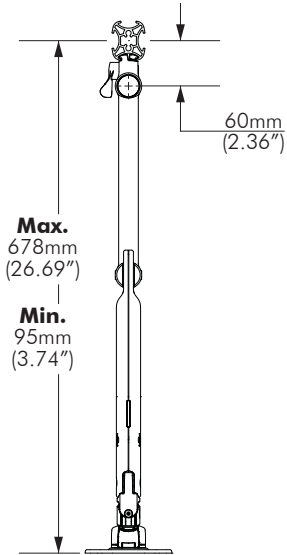
10 years limited

## Range Of Movement

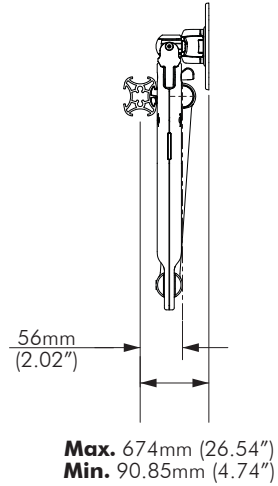


## Monitor Spring Arm | Range of Movement - Arm Extension

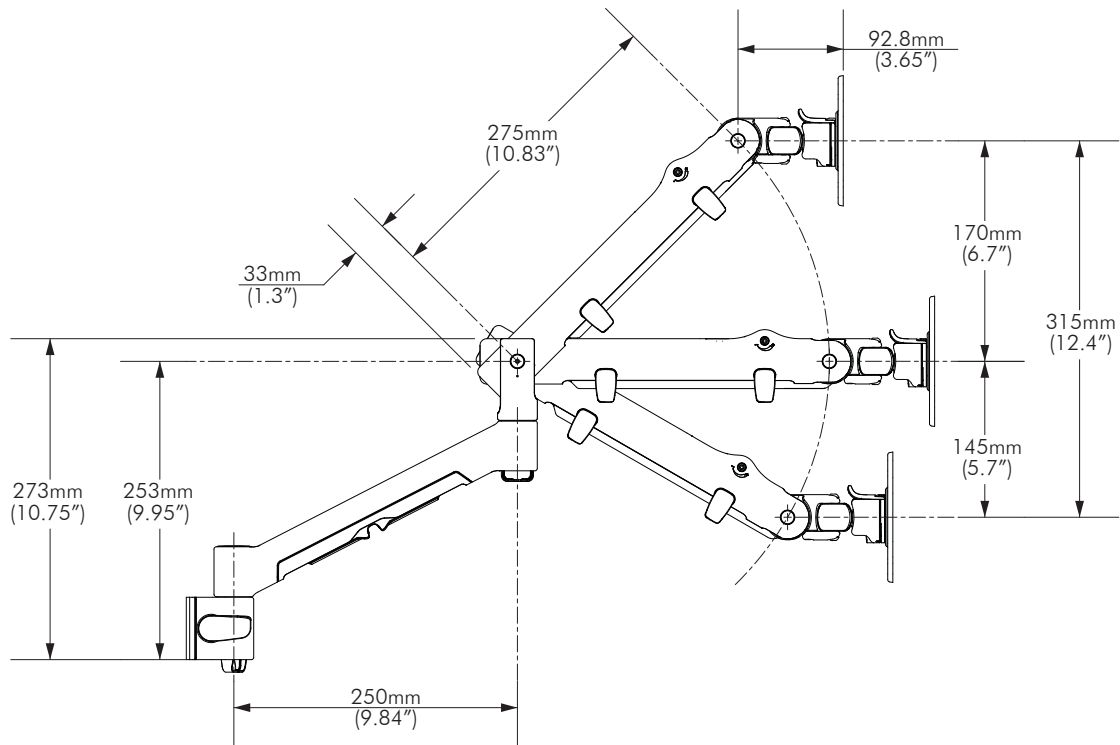
**Front Attachment**  
(Maximum Extension shown)



**Side Attachment**  
(Minimum Extension shown)

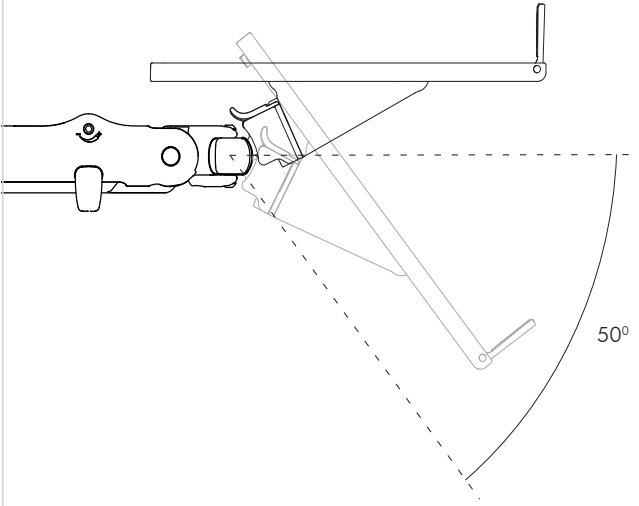


## Monitor Spring Arm | Range of movement - Arm Dimensions

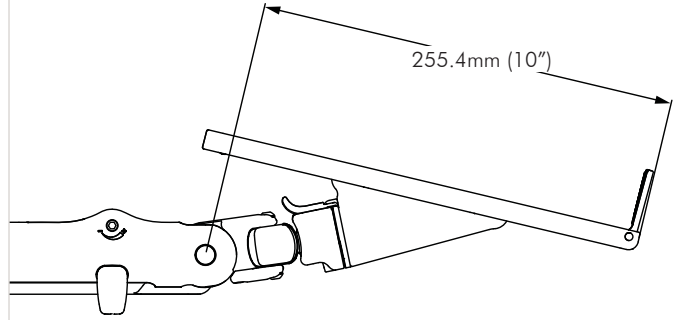


# Tray Dimensions

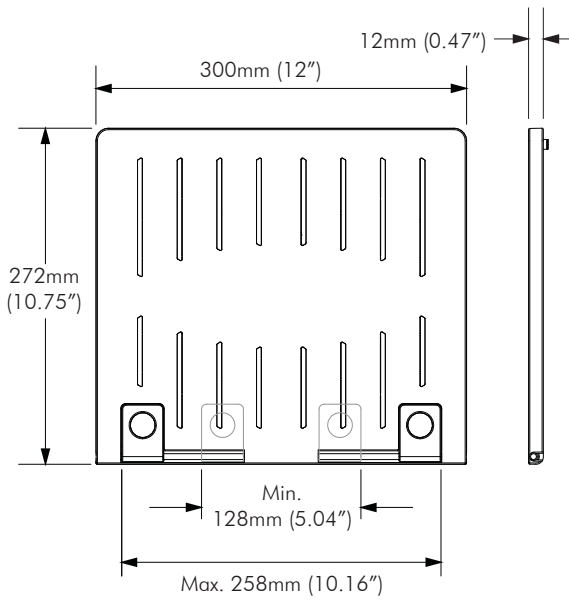
## Tilt Adjustment



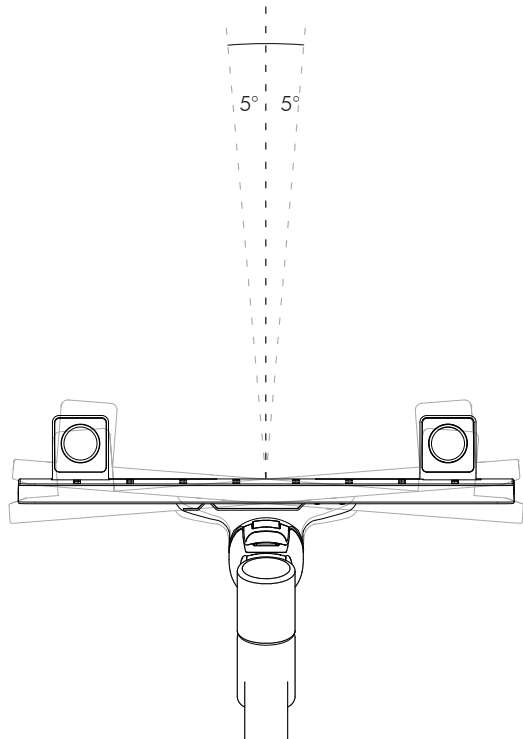
## Distance from pivot



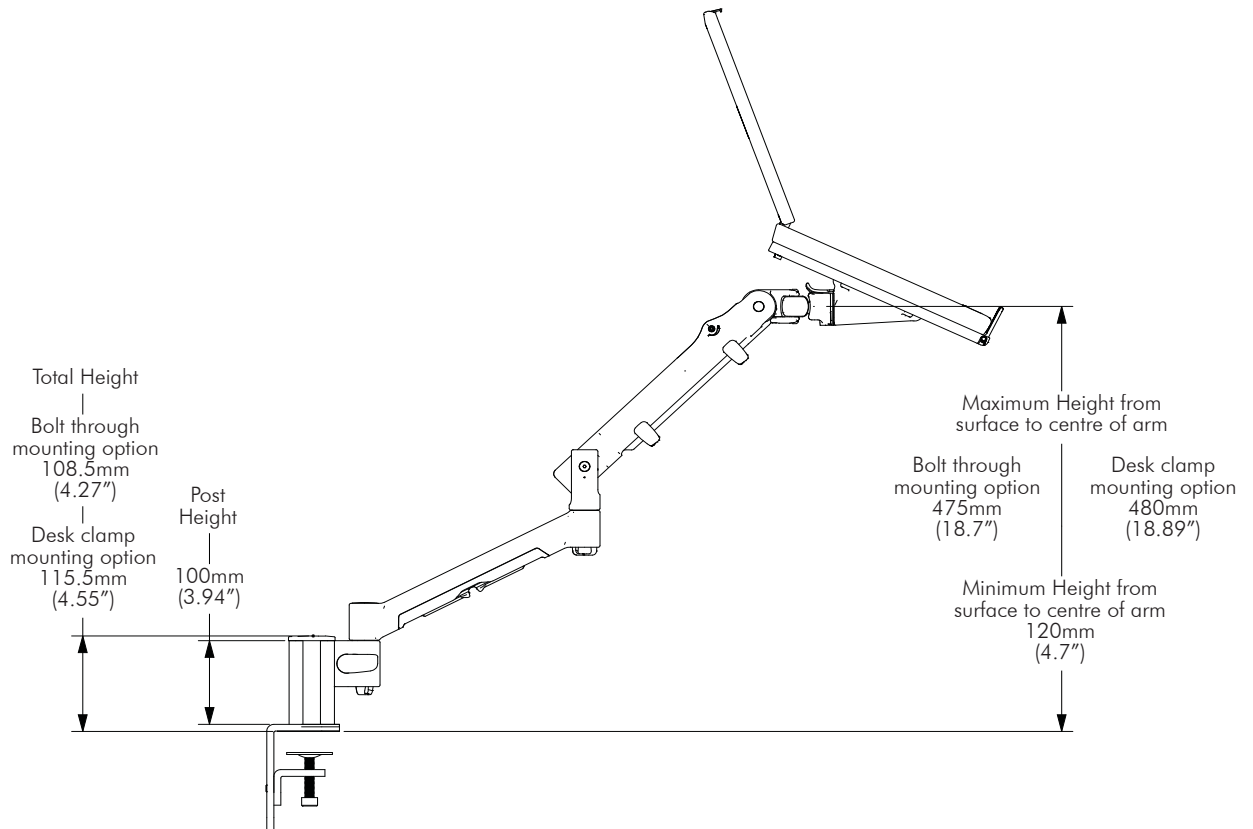
## Tray Dimensions



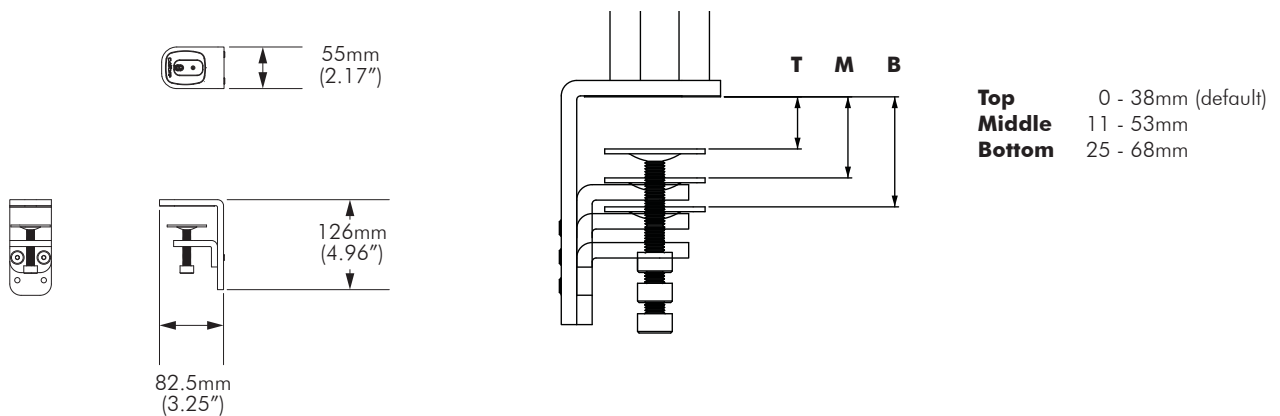
## Fine Adjustment



## Side View



## Desk Clamp Mounting Options-Dimensions



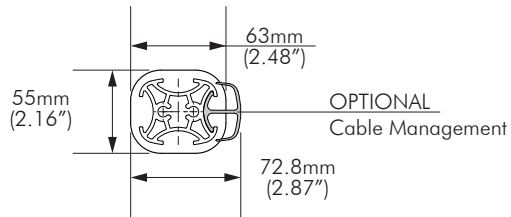
The Desk Clamp bracket can be repositioned to suit different mounting surface thicknesses. The maximum mounting surface thicknesses supported are listed above from the Top to Middle to Bottom Screw Holes.

**Important!** Any mounting surface must be capable of supporting the combined weight of all Systema products and attached monitors/devices. If in doubt, contact your mounting surface supplier.

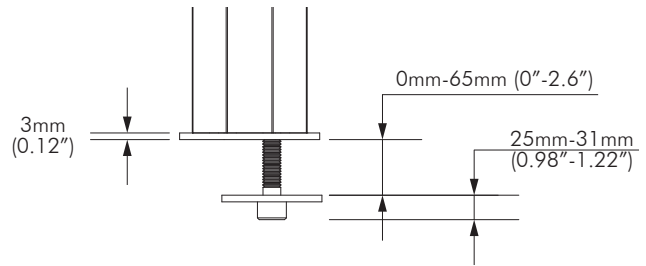
## Bolt Through Mounting Options- Dimensions

### Top View

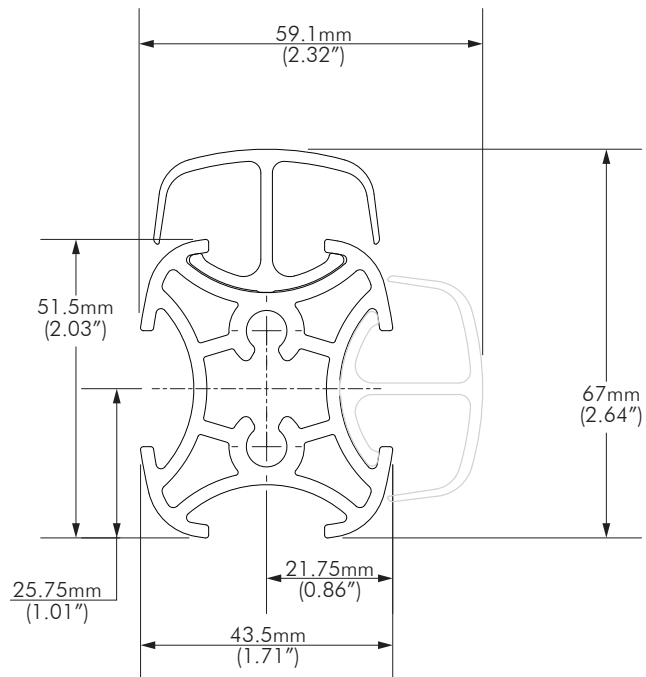
Bolt Through Desk Plate



### Detail View



## Post Cross Section - Dimensions



## VESA Mounting Bracket

