



# IONIC TOWER AIR PURIFIER

ION401



## USER MANUAL

# Contents

<b>Safety Instructions</b>	<b>02</b>
<hr/>	
<b>Main Parts</b>	<b>03</b>
<hr/>	
<b>Operating the Ionic Air Purifier</b>	
Getting Started	<b>04</b>
Controls/Settings	<b>05</b>
Operation	<b>05</b>
<hr/>	
<b>Cleaning &amp; Maintenance</b>	
Cleaning the Dust Collection Blades	<b>06</b>
Inserting the Dust Collection Blades	<b>08</b>
Cleaning the Ionizing Wires	<b>09</b>
Thorough Cleaning	<b>09</b>
<hr/>	
<b>Troubleshooting</b>	<b>10</b>
<hr/>	
<b>Health Tips</b>	
Ozone and Your Health	<b>11</b>
<hr/>	
<b>Warranty</b>	<b>12</b>
<hr/>	
<b>TWELVE MONTHS WARRANTY</b>	<b>13</b>

# Safety Instructions

**IMPORTANT INFORMATION:** Please exercise cautions when operating this appliance. Kindly read warnings below to prevent electric shock, injury, fire hazards or inconveniences.

- Please do not use the unit outdoors.
- Please use proper voltage specified suitable for this product.
- Do not let children operate without adult supervision.
- Always disconnect this product from power supply before removing internal parts for cleaning.
- Do not touch any parts within the product during operation to prevent injury or damage.
- Do not open the casing of this product to prevent causing injury and nullifying warranty.
- Never wash the product with water or touch it with wet hands.
- Do not use the product in bathrooms, humid areas, fireplaces or place it in proximity to flammable or combustible products.
- Do not use ionic air purifier in the kitchen. Ashes from cooker may follow air circulation into the product, leaving oil and dust residues on the unit and its surrounding area
- Do not pull the handle of Dust Collection Blades with force without first releasing the lock to prevent damaging the product.
- Never operate the ionic air purifier if the plug or cord is damaged. Please contact authorized distributor or qualified personnel to replace the damaged parts.
- Always turn off and unplug this product when not in use over a long period of time.
- Please hold the secured portion of the plug and remove it from the outlet gently.
- Do not place the power cord near any heat sources.
- Keep yourself at a safe distance while the unit is running to prevent hairs, fingers, clothing and accessories from getting into the unit.
- Please ensure that the plug has a proper grounding system.
- Please check the product and clean dust regularly to prevent excessive deposits from setting off sparks and causing fire.

# Main Parts

**A** Pull rod

**D** Power cord

**G** Dust collection blades

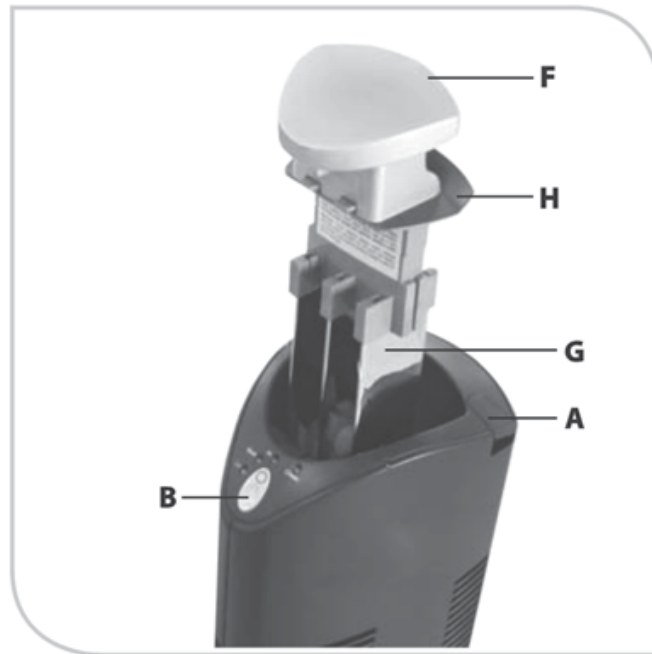
**B** Control panel

**E** Base

**H** Sliding lock button

**C** Casing

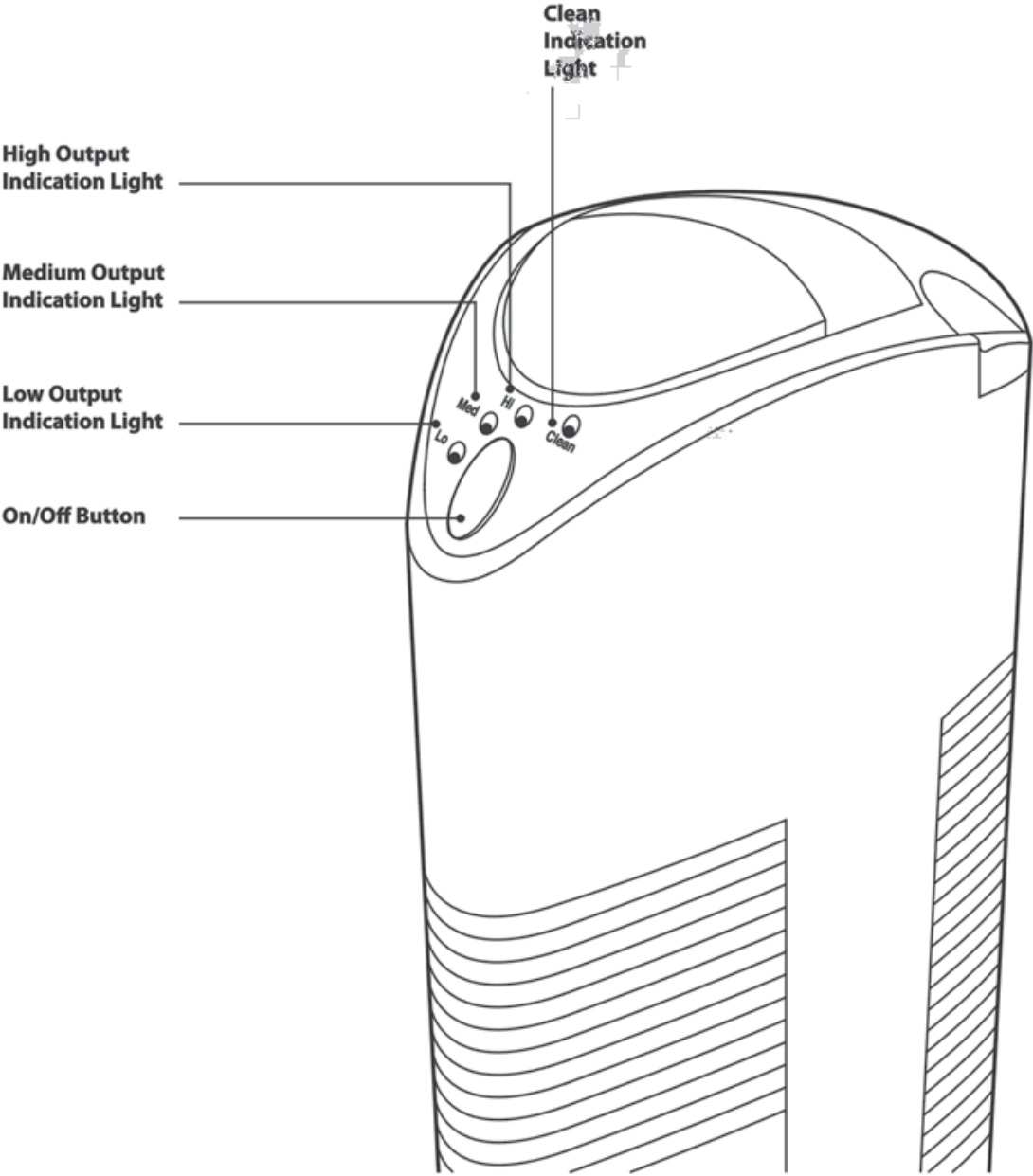
**F** Handle



# Operating the Ionic Air Purifier

## Getting Started

Place this product on a level surface and choose a proper power outlet (refer notes in SAFETY INSTRUCTIONS). Position your ionic air purifier at least 30cm away from the wall. Connect it to the power supply. The product is now ready for operation.



## **Controls / Settings**

### **1. ON/OFF**

Turns unit on and off

### **2. HI (high output indication light)**

This light indicates that the unit is in high operation mode.

### **3. MED (medium output indication light)**

This light indicates that the unit is in medium operation mode with 20 seconds rest interval for every 20 seconds operation.

### **4. LO (low output indication light)**

This light indicates that the unit is in low operation mode with 80 seconds rest interval for every 20 seconds operation.

### **5. Cleaning Indicator**

The red light is an indication that the unit needs to be cleaned, or it is experiencing other problems. Please refer TROUBLESHOOTING section of this manual for details.

## **Operation**

Press the ON/OFF button to activate the unit and select your preferred mode of operations. The unit starts in HI operation mode by default. With every press of the ON/OFF button, the mode changes in the order of HI, MED, LO and On/Off.

LO is the economic mode which is suitable for small rooms.

MED is most suitable for medium-sized rooms with windows frequently closed.

HI delivers the most negative ions which is suitable for larger rooms.

Cleaning Indicator - when the unit is not cleaned over a long period of time, the cleaning indicator will turn red and the unit will shut down automatically.

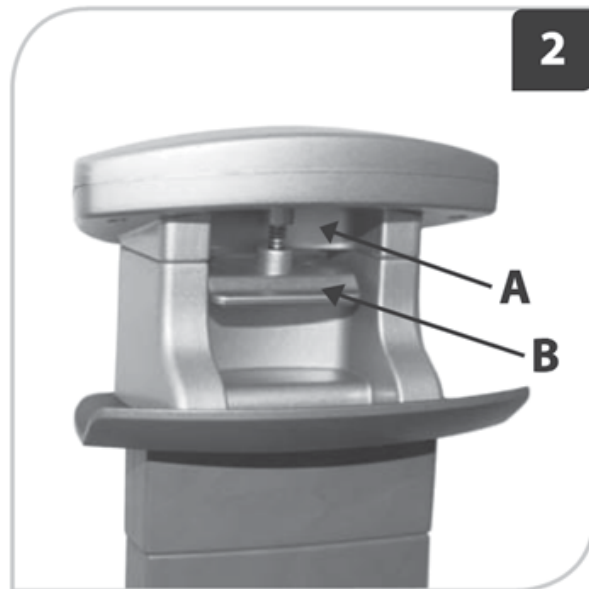
Next, pull the sliding lock button (see diagram 2 part B) and lift the handle gently upward (see diagram 2 part A).

Place the blades on earth or leave them on the floor for 10 minutes to discharge any static currents.

Wipe away the trapped particles on the blades with a damp sponge or cloth.

Leave it dry for 2 to 3 hours.

If you use cleaner and water, you must wait at least 24 hours for the blades to completely dry.



# Cleaning & Maintenance

This ionic air purifier runs quietly and produces clean, fresh and healthy air. A noisy product generally indicates that it needs to be cleaned.

## Cautions:

Always disconnect this product from power supply before detaching or installing any parts.

The Dust Collection Blades cannot be detached without first releasing the lock. Do not use excessive force to pull out the blades to prevent damaging the product.

To prevent damaging the unit, always allow the dust collection blades to dry thoroughly before re-inserting into its original position in the unit.

## Recommendations:

In order to keep the unit working properly, we highly recommend the following measures:

1. Dust Collection Blades – clean once every 3 to 4 days
2. Ionising wires – clean every week or when the unit becomes noisy
3. Cleaning frequency – Please clean your unit more often if your unit operates under heavily polluted environment.

## Cleaning the Dust Collection Blades

The Dust Collection Blades are a vital part of this amazing ionic air purifying system that collects harmful pollutants and allergens. It needs to be cleaned once every 3 to 4 days.

Hold the handle as shown in Diagram 1





# Cleaning & Maintenance

## Inserting The Dust Collection Blades:

After cleaning the (diagram 3), please re-insert into its original position vertically as shown in Diagram 4.

