



Professional mounting solutions for the home and office

Focus | Wall Direct monitor mount VF-WD

The Visidec Focus VF-WD provides a compact, low profile solution for mounting computer monitors and small screens to a wall. This space-saving mount is designed to maximise versatility without compromising space. Holding the display just a few inches from the wall, it provides a surprising level of movement with tilt / pan adjustment and horizontal to portrait screen orientation. Installation is simple with wall and display mounting hardware all included.

VESA Suits 75x75mm & 100x100mm mounting (100x200mm optional)*

Suits monitors 12" or larger

max display weight: 8kg (17.5lbs)

Wall mount solution

Adjustable tilt and pan

Adjustable screen orientation



This product is part of the Visidec Focus range of monitor and notebook mounts with solutions for wall and desk attachment.

Product key features:

- ✕ Designed for monitors 12" or larger up to 8kg (17.5lbs)
- ✕ Adjustable tilt: +/- 70° **
- ✕ Adjustable pan +/- 45° **
- ✕ Allows landscape to portrait screen rotation
- ✕ Distance from wall: 94mm (3.75")
- ✕ Comes with install guide, display and wall mounting hardware
- ✕ Durable design with 10 year warranty



Sleek & contemporary design

Quick & easy installation

Attachment head allows for screen tilt, pan & rotation

Can be attached to a variety of wall surfaces and comes supplied with all mounting hardware

* 200x100 VESA mounting support via optional adaptor accessory
** The tilt and pan facility offered by this mount will be limited by screen size. Larger monitors will reduce the amount of adjustment.
Please see the technical specifications on the reverse side of this brochure for further details.



Atdec Global www.atdec.com.au
Atdec North America www.atdec.com

Product information, single unit

Load capacity	Material	Color
8kg (17.5lbs)	Aluminum	Polished

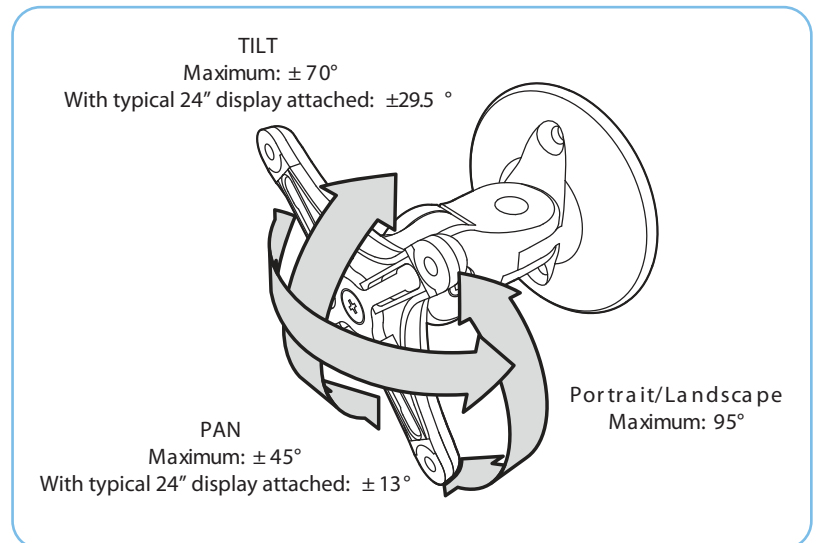
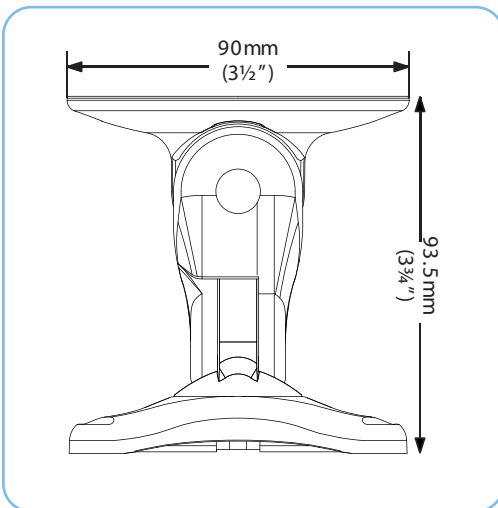
Package information, single unit

Size	Ship weight	UPC code	Contents
11cm x 10cm x 10cm (4" x 4" x 4")	0.4kg (0.8lbs)	881493004429	All hardware required for installation supplied

Package information, master pack

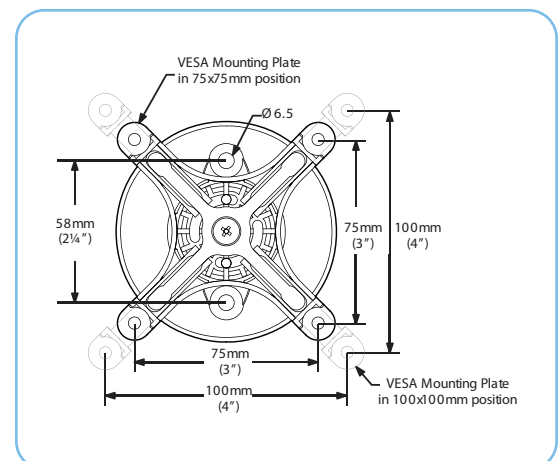
Size	Ship weight	UPC	Units per master pack
44cm x 31cm x 22cm (12" x 8.5" x 17.25")	10kg (17.8lbs)	881493002623	24

Technical drawings



Related Products

VF-AT-W	Articulated Wall Mount
VF-AT	Articulated Desk Mount
VF-AT-D	Articulated Dual Display Desk Mount
VF-AT-NP	Articulated Notebook Desk Mount
AC-AP-2010	100x200mm VESA Adaptor



Atdec mounts are designed, developed and tested in Australia. We manufacture an extensive range of display and projector mountings for a variety of user types and situations. While all efforts have been made to ensure the information in this brochure was correct as of the date of printing, we reserve the right to change specifications without notice. Please refer to the website for our full range along with the latest details on specifications, compatibility and dealer location. Atdec and telehookare registered trademarks with all rights reserved. Copyright May 2011 V2.0



Atdec Global www.atdec.com.au
Atdec North America www.atdec.com