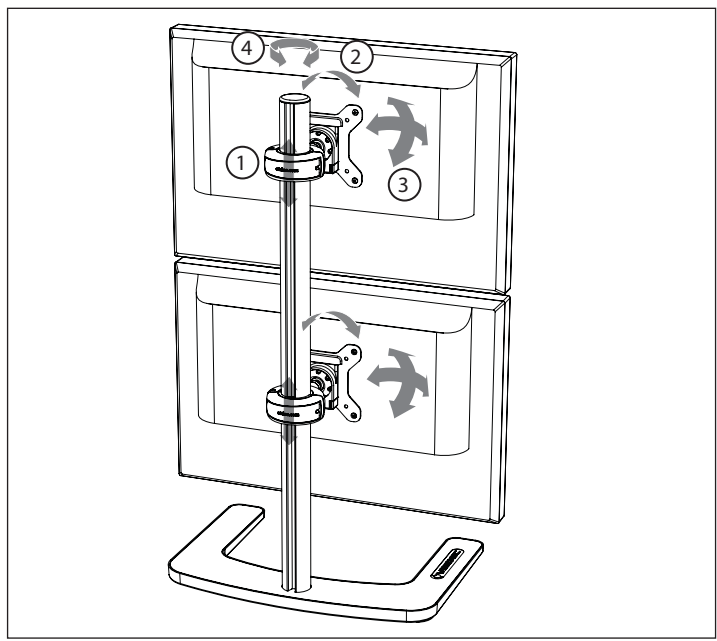


General Features



Display Compatibility:
 Visidec Freestanding Double Vertical is compatible with most Flat Panel Displays between 12" (30cm) and 24" (61cm) that feature either 75mm x 75mm (3 x 3") or 100mm x 100mm (4 x 4") VESA mounting hole patterns.

Display Weight Compatibility:
 Each Quickshift Donut supports a maximum weight of 12 kg (26½ lbs)

Cable Management:
 Cable Slot, Cable Clips and Cable Balls (included in package)

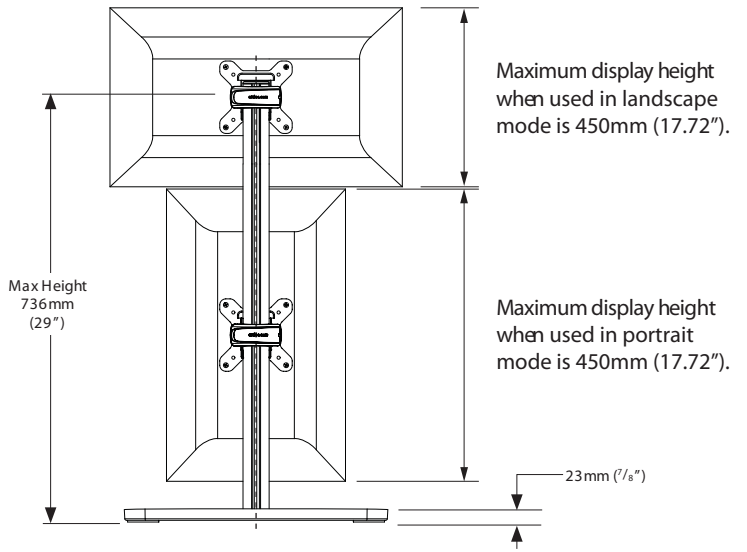
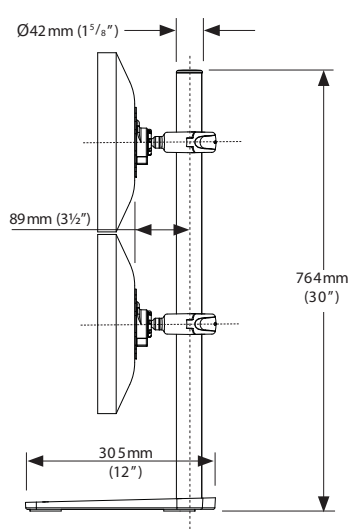
Colour Options:

- Pole available in Matt Silver Anodised only.
- Quickshift Donut available in Black only.
- Base available in Black/Silver only.

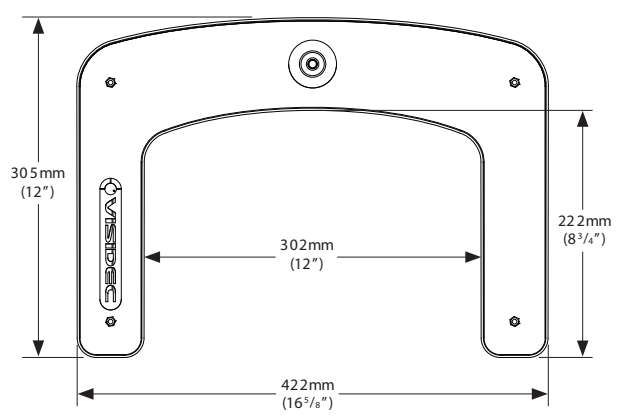
Warranty:
 5 years limited

- ① Vertical height adjustment
- ② 360° Portrait/Landscape adjustment
- ③ 40° Pan/Tilt adjustment
- ④ 360° Rotation

Overall Dimensions



Base Dimensions



VESA Display Mounting Options

Choose the correct Mounting Screws supplied in the Hardware box and attach the display as shown.

