

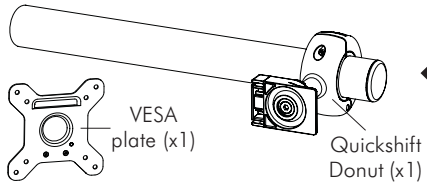
IMPORTANT INFORMATION

- **Each Quickshift Donut supports a maximum weight of 12kg (26½lbs)**
 - o Donut Pole 420mm supports a total of: 12kg (26½lbs)
 - o Donut Pole 750mm supports a total of: 24kg (53lbs)
 - o Donut Pole 1150mm supports a total of: 36kg (79½lbs)
- This product suits VESA compliant displays with 75mm x 75mm (3" x 3") and 100mm x 100mm (4" x 4") mounting hole patterns.
- The manufacturer does not accept responsibility for incorrect installation

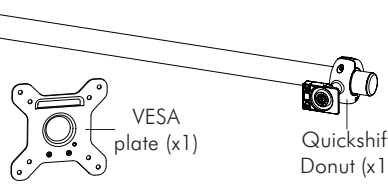
Component Checklist

Check you have received all parts against this component checklist according to the product you have purchased.

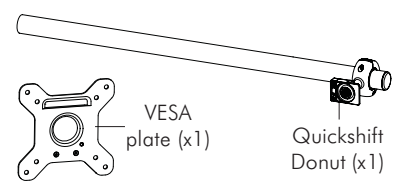
Donut Pole 420mm (16½")



Donut Pole 750mm (29½")



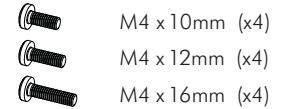
Donut Pole 1150mm (45¼")



Hardware

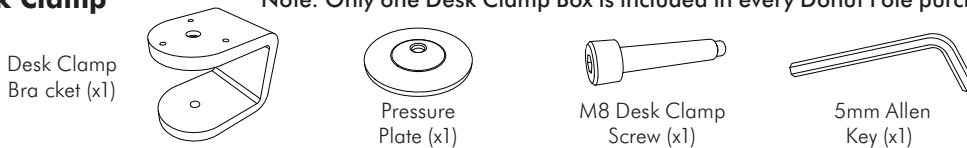


Mounting Screws



Desk Clamp

Note: Only one Desk Clamp Box is included in every Donut Pole purchased.



TOOLS REQUIRED:

- Power Drill
- 10mm (3/8") or 6mm (1/4") Drill Bit
- Phillips Head Screw Driver

Step 1. Mounting Options

There are two Mounting Options: **Bolt Through** and **Desk Clamp**

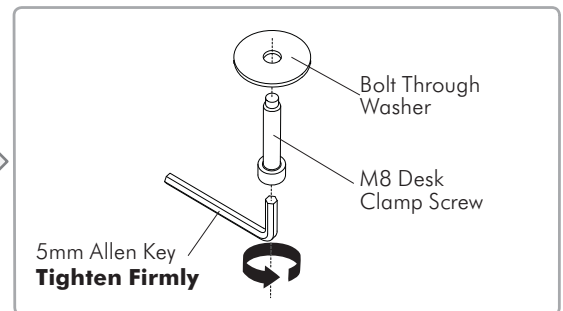
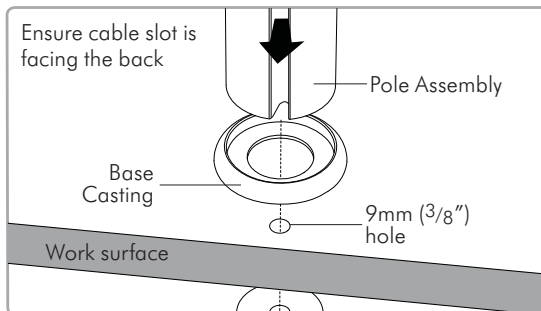
To use the **Bolt Through** system, (Suits desktop thicknesses of 12mm-40mm [1/2"-1½"]) follow the Bolt Through instructions at **Option A.**

To use the **Desk Clamp**, (Suits desktop thicknesses of 12mm-38mm [1/2"-1½"]) follow the Desk Clamp instructions at **Option B.**

Option A. Bolt Through

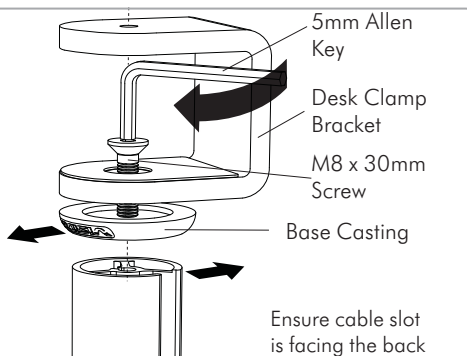
Drill a 9mm (3/8") hole in the work surface at the desired position and assemble as shown.

NOTE: It is recommended that the pole assembly be mounted towards the rear edge of the work surface.



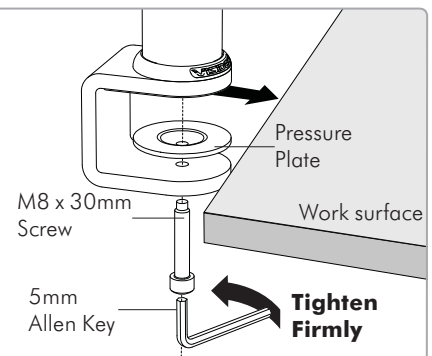
Option B. Desk Clamp

Attach the Desk Clamp Bracket to the bottom of the Pole Assembly using the M8 x 30mm Screw. **Tighten Firmly** using the 5mm Allen Key. Ensure the Spacedec Logo on the Base Casting is facing the front as shown.



Attach the Donut Pole Assembly using the Desk Clamp as shown.

Note: Desk Clamp suits 12mm (1/2") - 38mm (1½") thick work surfaces. Adjust the height of the Pressure Plate to suit your work surface.

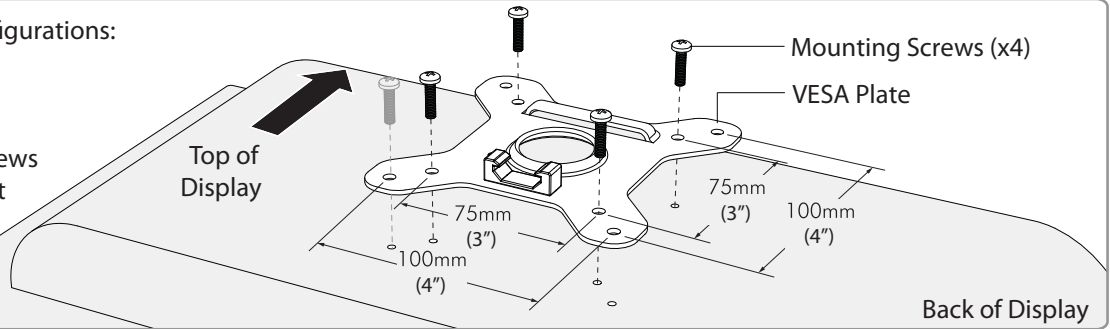


Step 2. Attach the VESA plate to your Display

There are two mounting hole configurations:

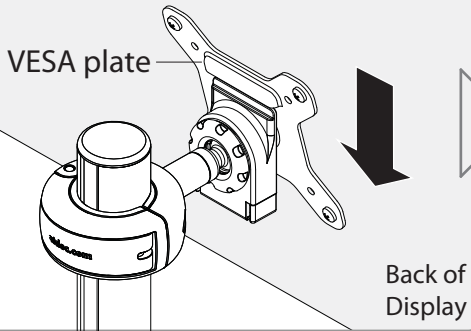
- 75 x 75mm
- 100 x 100mm

Choose appropriate Mounting Screws from the Hardware supplied to suit your Display.

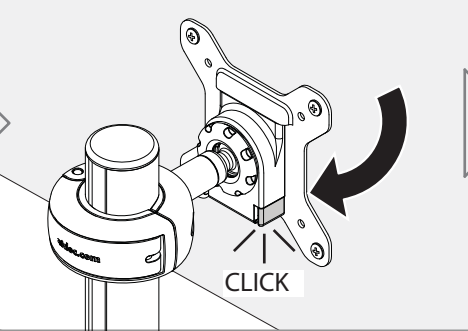


Step 3. Attach your Display to the Quickshift Donut

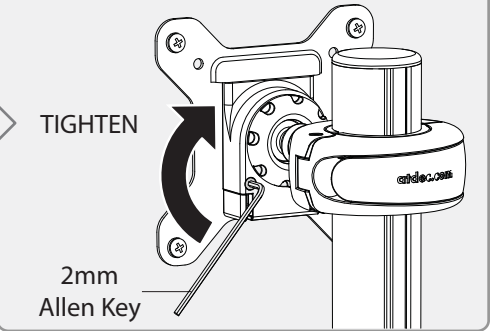
Hook the top of the VESA plate onto the Quickshift Mount.



Gently push the bottom of the Display into the Mount until you hear a 'CLICK'.

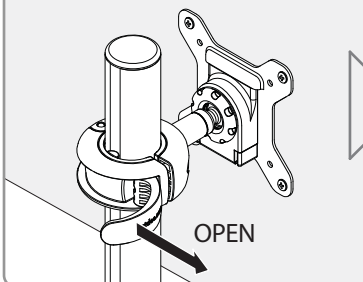


Insert the Security Screw, and tighten using the 2mm Allen Key.

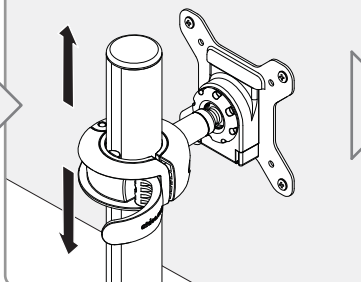


Step 4. Adjust the height of the Quickshift Donut

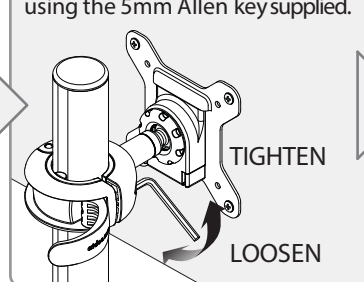
Open the lever to loosen the Quickshift Donut.



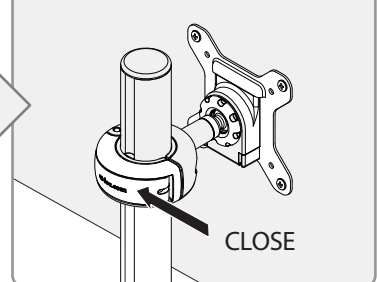
Slide the Quickshift Donut to desired position.



If necessary, adjust the tension between the Donut and the Pole using the 5mm Allen keys supplied.



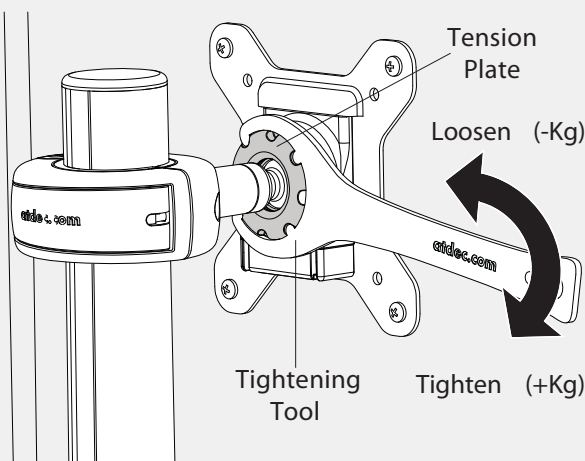
Close the lever to lock the Quickshift Donut in place.



Step 5. Adjust the VESA Ball Mount

Position your Display to the desired viewing angle, using the 40° angular movement allowed by the VESA Ball Mount. If the display does not hold its position, or is too resistant, adjust the Tension Plate (see diagram below).

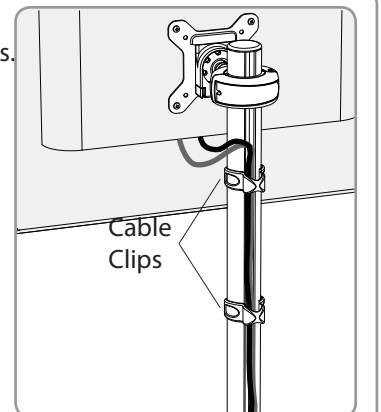
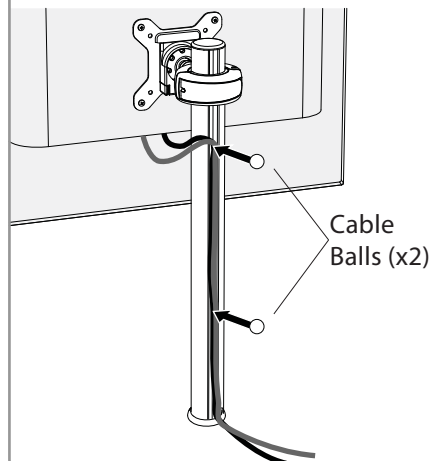
To make any adjustments, use the Tightening Tool supplied.



Step 6. Cable Management

Connect cables to your Displays, routing them down the rear of the poles.

Push the cables into the slots, using either the Cable Balls or Cable Clips to secure them to the pole as shown.



Note: Ensure enough slack is left in cables to allow for movement. When the slot in each pole cannot be used, use the supplied Cable Clips to secure the display cables.