



FOCUS MICRO Technical Specifications

A General Features

Maximum Load:

8kg (17.5lbs)

Display Compatibility:

The Visidec Focus Micro is compatible with most Flat Panel Displays between 12" and 24" (30cm and 61cm) that feature either 75mm x 75mm (3" x 3") or 100mm x 100mm (4" x 4") VESA mounting hole patterns.

Mounting Options:

Visidec Focus Micro package includes Bolt Through and Desk Clamp mounting options.

- Bolt Through
Suits desktop thicknesses of 12mm - 40mm (1/2" - 1 1/2")
- Desk Clamp
Suits desktop thicknesses of 12mm - 38mm (1/2" - 1 1/2")

Included Hardware:

All fasteners and mounting hardware is included

Tools Required:

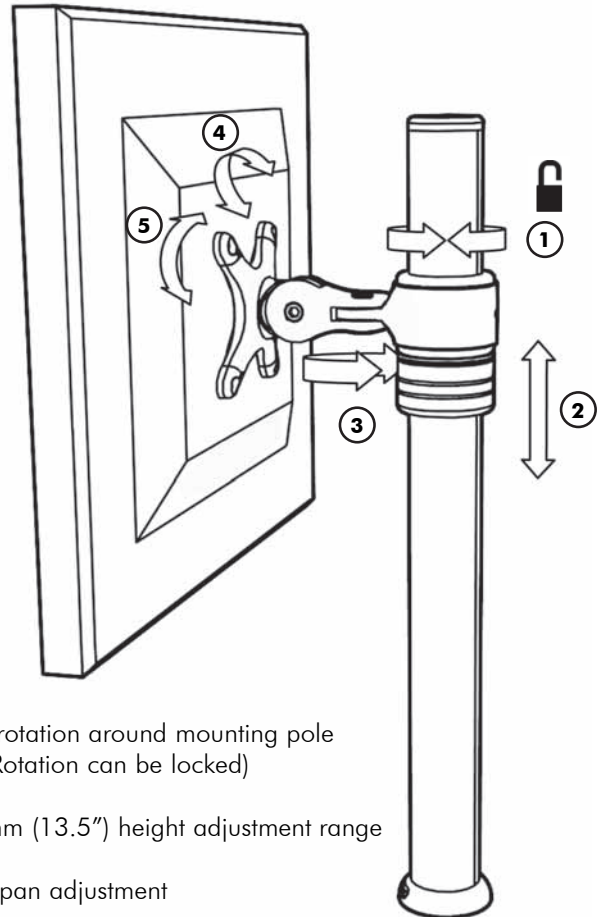
Power drill, 9mm (3/8") drill bit, Phillips Head screwdriver

Cable Management:

Cable management system includes cable slot, cable balls (x2) and cable management clips

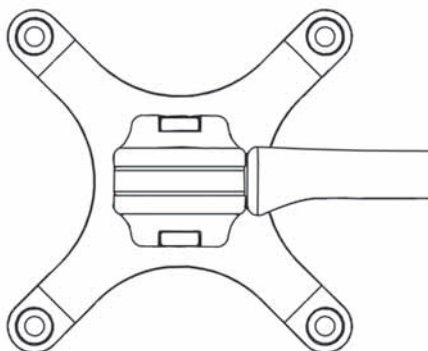
Colour:

Polished Silver

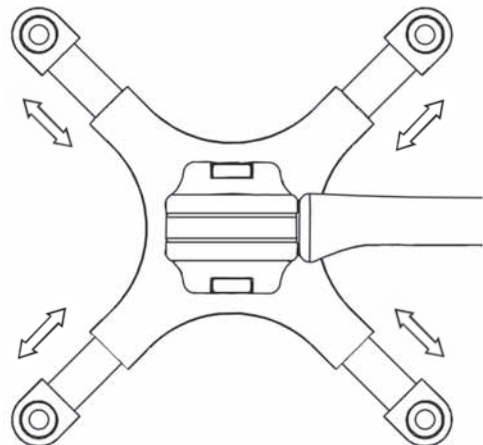


- ① 360° rotation around mounting pole
(This Rotation can be locked)
- ② 345mm (13.5") height adjustment range
- ③ 140° pan adjustment
- ④ $\pm 70^\circ$ tilt adjustment
- ⑤ $\pm 95^\circ$ portrait/landscape adjustment

B The FlexiStar™ mechanism

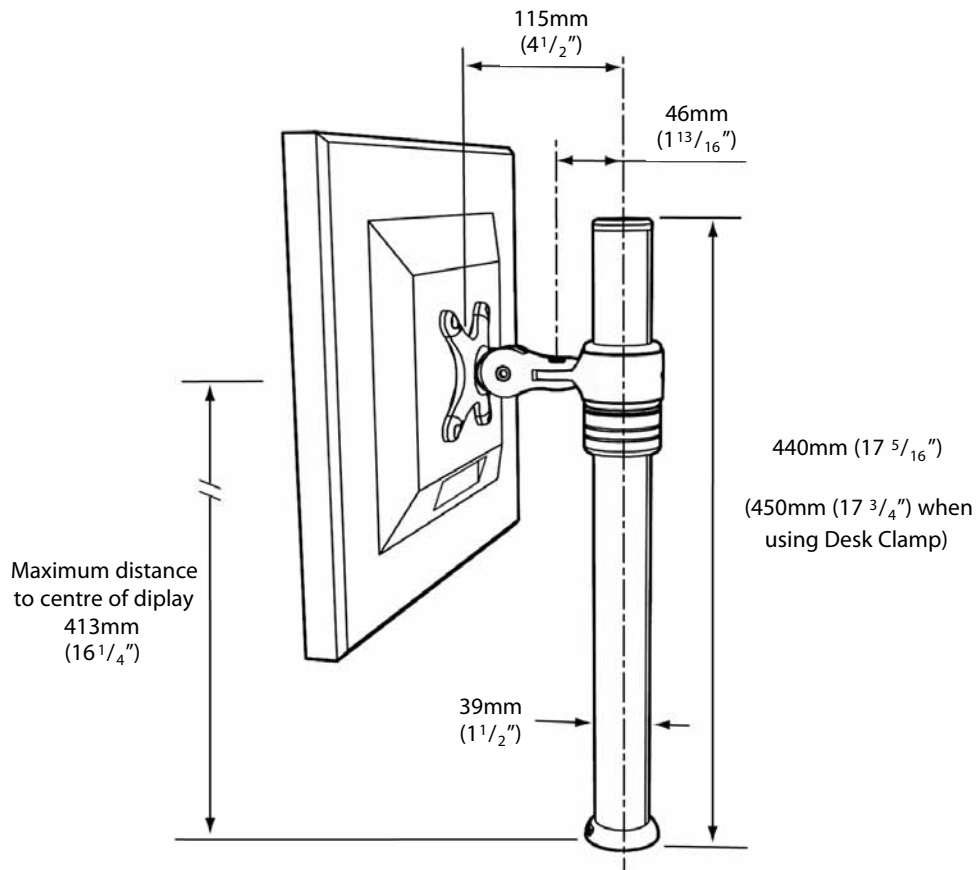


75mm x 75mm (3" x 3")
VESA hole pattern.



100mm x 100mm (4" x 4")
VESA hole pattern.

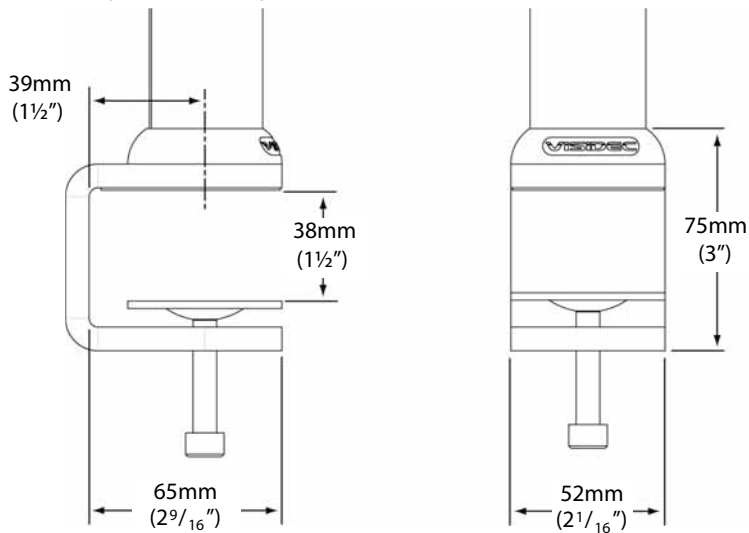
C Overall Dimensions



D Desk Mounting Options

Desk Clamp

Desk Clamp suits desktop thicknesses of 12mm - 38mm (1/2" - 1 1/2")



Bolt Through

Bolt Through suits desktop thicknesses of 12mm - 40mm (1/2" - 1 1/2")

